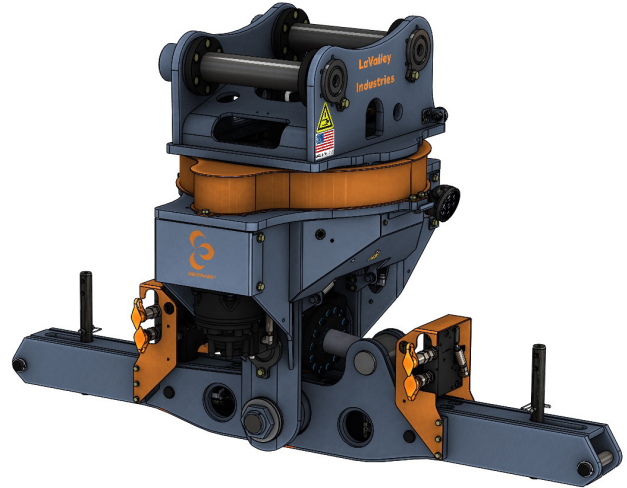


# DECKHAND® DH5HP

The HP stands for high performance. Engineered and built to accomplish the toughest jobs including vertical applications, the DECKHAND® DH5HP is revolutionizing the way contractors handle utility poles, pipe and casings.

- Head unit mounts to any brand of excavator in the 20-36 metric ton class
- 360° Continuous Rotation
- Tilts up to 25°
- Shifts load side to side up to 5.5" in either direction
- Load locking valves hold load securely, regardless of hydraulic pressure
- In-cab display allows operator to safely monitor and adjust all functions, working parameters, and hydraulic settings from inside the excavator.
- Requires auxiliary hydraulic circuit on excavator and dedicated case drain line
- Designed to meet ASME Below-The-Hook Lifting Standards



## DECKHAND® DH5HP HEAD UNIT

Part Number	5249
Model Number	DH5-HP
Excavator Wt Class	20-36 METRIC TON
Supply Pressure	5,000 PSI / 345 BAR
Max Flow	20 GPM / 76 LPM
Min Flow	15 GPM / 57 LPM
Main Beam Size (inches)	6x6
Capacity	30,000 LBS / 13,608 KGS
Weight	3,246 LB / 1,472 KG
Shipping Storage Stand	1270
Shipping Dimensions (inches)	93L x 76W x 70H (IN)
Shipping Weight w/ Stand	4,068 LB / 1,845 KG

# DECKHAND® COMPETITIVE ADVANTAGES

The DECKHAND® by LaValley Industries offers a long list of advantages versus traditional pipe handling methods in terms of safety, operational efficiency, and total project costs:

	<b>STRAPS &amp; CHAINS</b>	<b>VACUUM LIFTS</b>	<b>DECKHAND®</b>
<b>MAN POWER</b>	<b>2-4 PEOPLE</b>	<b>1-3 PEOPLE</b>	<b>1 PERSON</b>
Both straps/chains and vacuum lifts require extra manpower for positioning pipe.			
<b>OVERALL SAFETY</b>	<b>POOR</b>	<b>FAIR</b>	<b>EXCELLENT</b>
DECKHAND® eliminates workers in the vicinity of lifted pipe. No matter what the weather conditions, DECKHAND® offers positive grip and total control of pipe, unlike vacuum lifts.			
<b>LOAD HOLDING</b>	<b>POSITIVE</b>	<b>CAN DROP LOAD</b>	<b>POSITIVE</b>
Load hold valves on DECKHAND® arms ensure that pipe never drops, regardless of hydraulic pressure.			
<b>LOAD CONTROL</b>	<b>POOR</b>	<b>POOR</b>	<b>EXCELLENT</b>
DECKHAND® offers control of pipe in all directions. Vacuum lifts are free-swinging in one direction and cannot tilt pipe.			
<b>LOAD PLACEMENT</b>	<b>GROUND PERSONNEL REQUIRED</b>	<b>FAIR</b>	<b>EXCELLENT</b>
DECKHAND® offers powered control of pipe in all directions, which allows for fast, accurate pipe placement without any ground assistance.			
<b>PRODUCTIVITY</b>	<b>LOW</b>	<b>MODERATE</b>	<b>HIGH</b>
Straps/chains and vacuum lifts require multiple workers, while the DECKHAND® requires just one operator. Vacuum lifts are slower than DECKHAND® at moving and positioning pipe.			
<b>OFF-CENTER LIFTS</b>	<b>NO</b>	<b>NO</b>	<b>YES</b>
DECKHAND® can lift pipe off-center per operating limits.			
<b>TOTAL OWNERSHIP COST</b>	<b>MEDIUM</b>	<b>HIGH</b>	<b>LOW</b>
DECKHAND®s robust design ensures a long lifespan and nominal maintenance costs.			
<b>LABOR COST</b>	<b>2-4 PEOPLE</b>	<b>1-3 PEOPLE</b>	<b>1 PERSON</b>
DECKHAND® also increases pipe handling production vs. other methods.			
<b>PIPE &amp; EQUIPMENT DAMAGE</b>	<b>HIGH</b>	<b>MEDIUM</b>	<b>LOW</b>
Vacuum lifts can drop pipe unintentionally or swing pipe into objects, causing pipe and/or equipment.			
<b>MAINTENANCE COSTS</b>	<b>LOW</b>	<b>HIGH</b>	<b>LOW</b>
DECKHAND® requires weekly greasing and occasional wear pad replacement. Vacuum lifts require suction pads to be replaced when torn or every 200 hours, and filters to be replaced daily in certain weather conditions (diesel engine also requires daily fueling and maintenance).			
<b>INSURANCE COSTS</b>	<b>HIGH</b>	<b>MEDIUM</b>	<b>LOW</b>
With DECKHAND®, fewer ground workers equals lower insurance costs.			