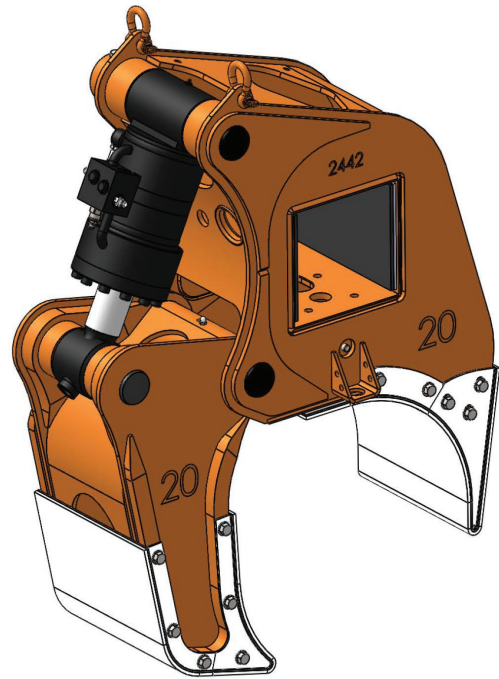


PIPE ARM LARGE

20"

Individual sizes designed to easily handle 20-42" diameter coated or uncoated pipe using the DECKHAND L head unit

- Handles pipe on and off trailers, rail cars, or pipe rack without disturbing adjacent pipe
- Sensors allow operator to monitor arm grip status while moving pipe
- Load locking valve system ensures pipe is never dropped
- Proximity sensors inform operator of correct positioning and clearance
- Pipe can be lifted from an off-center position
- Arms utilize long lasting wear pads to protect coated pipe from damage
- Fast and efficient at stringing pipe during pipeline construction
- Can handle pipe covered with snow, ice or dirt



DECKHAND PIPE ARM LARGE 20 INCH PAL SPECIFICATIONS

Part Number	2441
Model Number	PAL 20
Main Beam Size (Inches)	8x8
Material Capacity	20 IN / 50.8 CM
Capacity	16,000 LB / 7,257 KG
Weight	750 LB / 340 KG
Shipping Crate P/N	2578
Shipping Dimensions	52L x 42W x 52H IN / 132L x 107W x 132H CM
Shipping Weight (arm set with crate)	2,260 LB / 1,025 KG