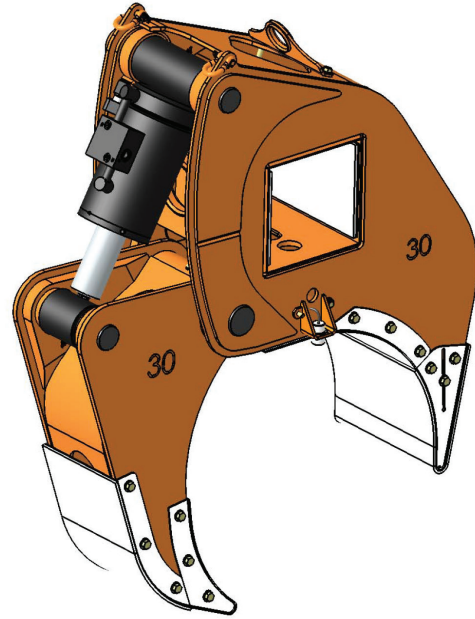


PIPE ARM EXTRA LARGE

30"

Individual sizes designed to easily handle 30-56" diameter coated or uncoated pipe using the DECKHAND XL head unit

- Handles pipe on and off trailers, rail cars, or pipe rack without disturbing adjacent pipe
- Sensors allow operator to monitor arm grip status while moving pipe
- Load locking valve system ensures pipe is never dropped
- Proximity sensors inform operator of correct positioning and clearance
- Pipe can be lifted from an off-center position
- Arms utilize long lasting wear pads to protect coated pipe from damage
- Fast and efficient at stringing pipe during pipeline construction
- Can handle pipe covered with snow, ice or dirt



DECKHAND PIPE ARM EXTRA LARGE

30 INCH PAXL SPECIFICATIONS

Part Number	3287
Model Number	PAXL 30
Main Beam Size (Inches)	10x10
Material Capacity	30 IN / 76.2 CM
Capacity	28,000 LB / 12,700 KG
Weight	1,150 LB / 522 KG
Shipping Crate P/N	2628
Shipping Dimensions	66L x 46W x 70H IN / 168L x 117W x 178H CM
Shipping Weight (arm set with crate)	3,425 LB / 1,554 KG